



Infinity®

CENTER CHANNEL

*Model CC-1
2-Way Center-Channel Speaker*

Owner's Manual

FOR CENTER CHANNEL OR SURROUND SOUND...

FLEXIBLE PLACEMENT...

ABOUT THIS MANUAL...

PARTS LIST...

TOOLS AND SUPPLIES (NOT ENCLOSED)...

INTRODUCTION

The Infinity CC-1 center-channel speaker is a compact 2-way loudspeaker designed for center-channel use, yet it can also function as a rear-channel speaker. When used as part of an audio/video home entertainment system, the CC-1 center-channel speaker will provide you with a panorama of sound and depth to accurately recreate the cinema experience in your home.

The Infinity CC-1 center-channel speaker has built-in feet for easy horizontal placement on top of a television cabinet or below on a shelf. Since it is magnetically shielded, you can place it next to the television without causing distortion of the picture. Moreover, because of its compact size, the CC-1 will fit in the smallest of spaces.

For rear-channel applications, the CC-1 has convenient threaded inserts (on the rear) for use with an optional OmniMount® Systems Series 25 Mounting Bracket on a wall or ceiling.

Please read the remaining pages before connecting and operating the CC-1 speaker. Maximum performance is dependent on following these instructions, as well as those listed in the owner's manuals of associated components in your home theater system. Save these instructions for future reference. These speakers are covered by a limited five-year warranty, so save the bill of sale to protect your purchase and aid in any service-related questions.

UNPACKING THE SPEAKER

Finish unpacking the speaker and check the contents. If you suspect damage from transit, report it immediately to your dealer and/or delivery service. Keep the shipping carton and packing materials for future use.

Please verify that the package contains the following items:

- ◆ (1) CC-1 Center-Channel Speaker
- ◆ (1) Owner's Manual
- ◆ (1) Warranty Card

You may also need the following tools and supplies:

- ◆ High-quality speaker wire
- ◆ Wire strippers
- ◆ Banana plugs or spade terminals (if desired)

PLANNING YOUR SYSTEM

To help plan your home theater system, below is a layout representing a typical living room where the home theater system is the main focus (see Figure 1).

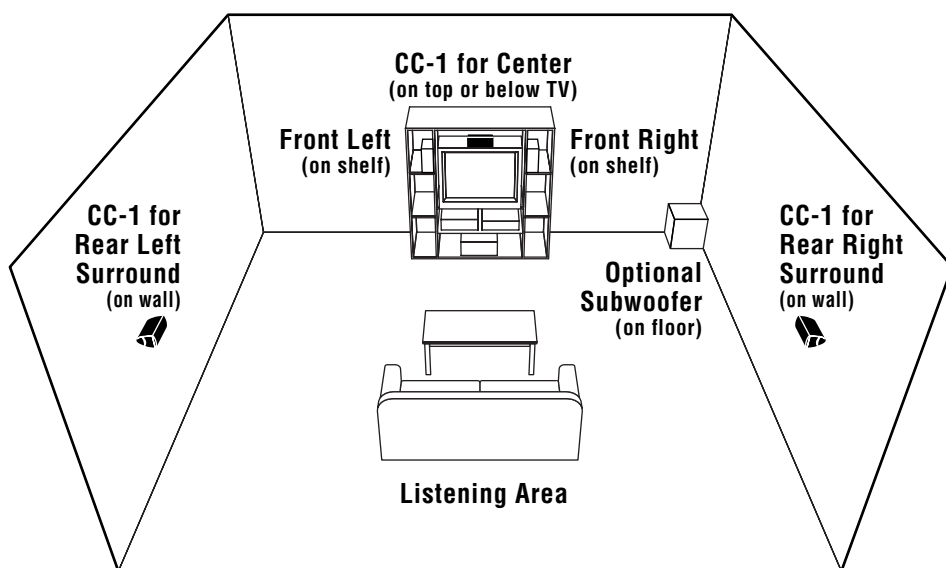
CENTER CHANNEL USE...

For best results, the CC-1 center-channel speaker should be placed horizontally on top of the television. Or, if space is at a premium, an alternate location is below the television on a shelf. Make sure the CC-1 faces the viewing audience.

REAR CHANNEL USE...

For this application, you'll need a pair of CC-1s for horizontal placement on either side of the listening area. Use shelves, stands, or a pair of optional OmniMount Systems Series 25 Mounting Brackets for wall or ceiling mounting (see Figure 2 on next page).

Figure 1. The CC-1 center-channel speaker can be placed on or below a television, or mounted on a wall or ceiling for surround use.



PLACEMENT

CENTER PLACEMENT...

The CC-1 center-channel speaker is designed for easy horizontal placement on top of (or on a shelf below) a television. It comes with built-in feet to protect furniture. Simply position the speaker so the front (grille) is even with the TV screen.

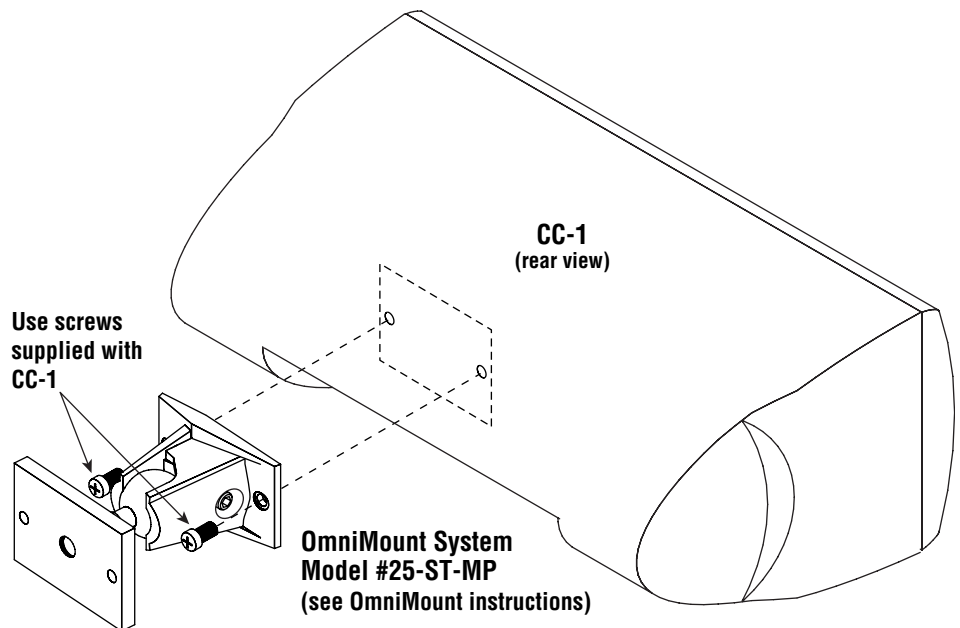
REAR PLACEMENT...

For surround left and right channels, place a CC-1 speaker on the left and another on the right, horizontally on bookshelves or stands, above and behind the listening area.

For wall or ceiling installations, use a pair of OmniMount Systems Mounting Brackets (Model #25-ST-MP) and attach them via convenient threaded inserts on the back of each cabinet, as shown in Figure 2. In this case, you can mount CC-1 speakers horizontally or vertically.

NOTE: See your local audio/video retailer or contact OmniMount Systems directly at 602-829-8000 to obtain mounting brackets.

Figure 2. Each CC-1 center-channel speaker includes threaded inserts for use with an optional OmniMount System Model #25-ST-MP Mounting Bracket. Follow the instructions packed with the OmniMount product to correctly install each assembly and make sure only wall studs or ceiling joists are used as mounting locations.



WIRING THE SYSTEM

TURN OFF ALL POWER...

IMPORTANT!

IMPORTANT!

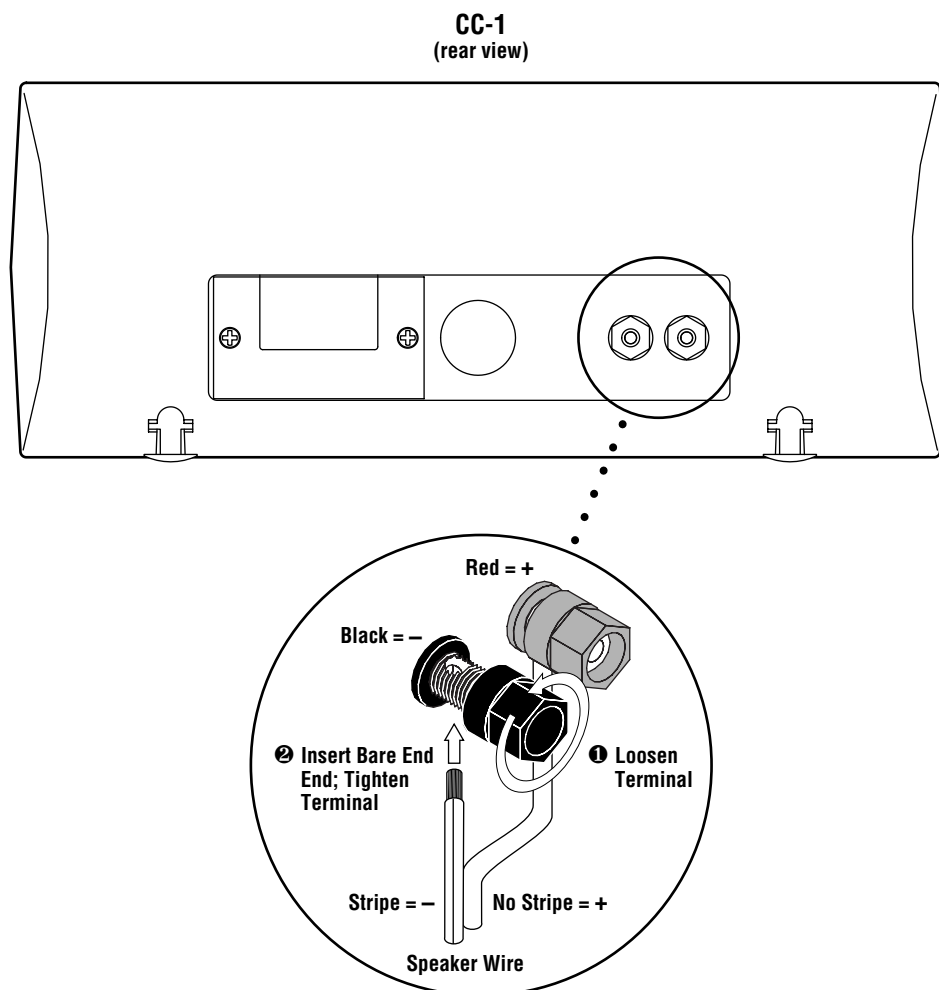
After placing the speaker, you are ready to connect it to your system. First turn off all audio system power. Use high-quality speaker wire to make the connections. Consult the owner's manuals (included with your amplifier, receiver, or television) for connection and operation procedures.

When using the CC-1 for center-channel reproduction, set the center-channel mode (on a Dolby Pro Logic preamplifier or A/V receiver) to NORMAL. This will route the low frequencies (below 100 Hz) away from the center-channel speaker to the front left and right speakers.

Observe polarities when making speaker connections, as shown in Figures 3 (below) and 4 (on the next page). Connect each + terminal on the back of the amplifier, receiver, or television to the respective + (red) terminal on the CC-1 speaker. Similarly, connect the (black) terminals in the same way.

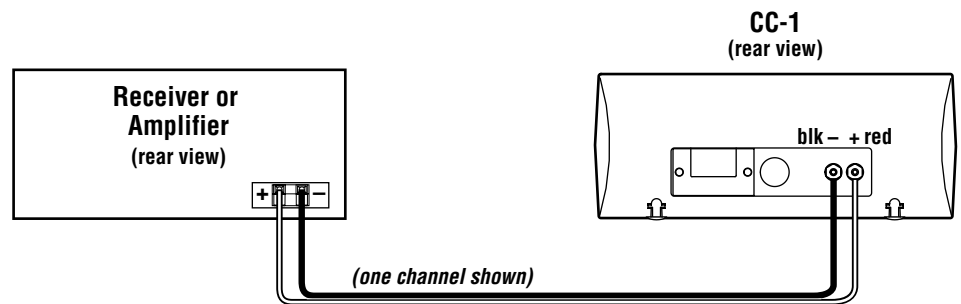
Do not reverse polarities (i.e., + to - or - to +) when making connections.

Figure 3. The CC-1 center-channel speaker features gold-plated terminals that can be connected in several different ways; e.g., banana plugs, spade terminals, and direct wiring (as shown here).



CONNECTING SPEAKERS DIRECTLY TO WIRES

Figure 4. This wiring diagram shows polarity connections for a center channel connection (also see the owner's manual that came with your amplifier, receiver, or television).



TESTING THE SPEAKER

After placing and wiring the speakers, turn on audio system power. Follow the instructions (packed with your A/V preamplifier or receiver) to calibrate the Dolby® Pro Logic channels. Most components include a built-in test tone to help you balance the sound levels to all speakers in your system.

During calibration, verify that the CC-1 center-channel speaker reproduces the test tone. If not, check the wiring connections and see the *Troubleshooting* chart (on page 6) for help.

CARE OF YOUR SPEAKER SYSTEM

The CC-1 cabinet does not require any routine care. When needed, use a soft cloth, dampened with water only, to remove any fingerprints or to wipe off dust. **DO NOT USE ANY CLEANING PRODUCTS OR POLISHES.** Clean the grille by gentle vacuuming.

TROUBLESHOOTING

SYMPTOM	CAUSE	SOLUTION
No sound	Power is off; Pro Logic decoder is off	See A/V preamplifier or receiver's owner's manual for operation and further help
	Speaker not connected	Connect speaker (see pages 4 and 5)
Distortion with volume control near minimum	Defective A/V preamplifier or receiver	Repair defective A/V preamplifier or receiver
	Shorted speaker wires	Check or repair wiring (see pages 4 and 5)
Distortion on music peaks or sound effects (e.g., pops or rapping noise)	Dynamic soundtrack (e.g., explosions) causes speaker to "bottom" out	Turn down master volume control to lower overall range
	Tone controls are set too high	Set bass and treble flat; use controls sparingly
Buzz, hum, or crackle when connecting wires	Connecting wires with power on causes transient signal spikes	Connect wires only when audio system power is off
Buzz or hum when A/V preamplifier or receiver is on	Grounding problem	See A/V preamplifier or receiver's owner's manual for operation and further help

SPECIFICATIONS

PERFORMANCE DATA

Frequency Range:	100 ~ 20,000 Hz
Sensitivity:	90 dB @ 2.83 V and 1 m (anechoic conditions)
Impedance:	8 Ω
Maximum Peak Output:	109 dB (spl on program)
Amplifier Requirements:	Recommended for use with amplifiers 10 ~ 80W (@ 8 Ω)

DRIVE UNITS

Low/Mid Frequency:	2 x 4" (100 mm) polypropylene cone, magnetically-shielded
High Frequency:	1/2" (12 mm) elliptical waveguide
Crossover Frequency:	3,000 Hz

DIMENSIONS

Width:	12 1/2" (318.0 mm)
Height:	5" (128.5 mm)
Depth:	7" (178.0 mm)
Weight:	7 1/2 lb (3.4 kg)

LIMITED FIVE YEAR WARRANTY

Who is protected by the warranty?

Your Infinity warranty protects the original retail purchaser and all subsequent owners for a period of five (5) years (parts and labor) for all speaker components from any failure as a result of an original manufacturing defect so long as: (1) your Infinity loudspeakers were purchased within the fifty states of the U.S.A. or by military personnel from an authorized military outlet and (2) the original dated bill of sale is presented whenever service is required during the warranty period. This warranty does not apply to products purchased elsewhere; other purchasers should contact their local Infinity distributor for warranty information.

What does the Infinity warranty cover?

Except as specified below, this warranty covers all defects in original materials and workmanship. The following are not covered: damage caused by accident, misuse, abuse, neglect, product modification; damage occurring during shipment, damage caused by failure to follow instructions in the owner's manual, including failure to perform recommended periodic or routine maintenance; damage resulting from repairs by someone not authorized by Infinity; claims based upon any misrepresentations by the sellers; and any Infinity product on which the serial number has been altered, defaced or removed.

Who pays for what?

During the period of this warranty, subject to the above conditions, Infinity will pay all of the labor and material expenses to repair a warrantable defect.

How can warranty service be obtained?

In the event that your loudspeaker(s) should require service, you should first contact the Infinity dealer from whom the product was purchased or, if this is not practical, contact Customer Service in writing at:

Infinity Systems, Inc., 20630 Nordhoff Street, Chatsworth, CA 91311 USA

or by calling us at (818) 407-0228 (FAX: 818-709-9486)

We may direct you to an authorized service center for Infinity product or ask you to send them to us for repair. In either case you will have to present your original dated bill of sale to establish warranty coverage. Do not send your speaker(s) to us without prior authorization from our Customer Service department.

You are responsible for transporting your product to either Infinity or an authorized service center and for payment of all shipping charges; however, Infinity will pay the return shipping charges (in the event you return the product to us) if the repairs are covered by the warranty. If you experience difficulty in transporting your product or are in need of packing materials, please advise us and we may be able to suggest alternative procedures and/or adequate packaging materials.

LIMITATION OF IMPLIED WARRANTIES: All implied warranties, including fitness for a particular purpose and merchantability are limited in duration to the length of the warranty period for your product.

LIMITATION OF INCIDENTAL OR CONSEQUENTIAL DAMAGES: Infinity is not responsible for an incidental or consequential damage of any kind. Our liability is limited to the repair or replacement, at our option, of a defective product.

Some states do not allow limitations on how long an implied warranty lasts and/or do not allow the exclusion of incidental or consequential damages, so the above limitations or exclusions may not apply to you. This warranty gives you specific legal rights and you may also have other rights which vary from state to state.

NOTE: In the event that there is a difference between this warranty and the provisions in any advertisements, product brochure or packaging cartons, the terms of this warranty will prevail.

Infinity constantly strives to update and improve existing products, as well as create new ones. Therefore the specifications and construction details in this and related Infinity publications are subject to change without notice.

© 1996 Infinity Systems Inc., 20630 Nordhoff Street, Chatsworth, CA 91311 USA

(818) 407-0228 • FAX (818) 709-9486

Infinity is a registered trademark of Infinity Systems, Inc. Dolby and Pro Logic are trademarks of Dolby Laboratories Licensing Corp. OmniMount is a registered trademark of OmniMount Systems, Inc.



Infinity Systems, Inc.
20630 Nordhoff Street
Chatsworth, CA 91311, USA

(818) 407-0228 • FAX (818) 709-9486